

Customer Notification



Notification No.: 20190328

Version: 1.0

Page: 1 of 1

Release Date: March 28, 2019

Effective Date: March 28, 2019

Notification Status: Advisory Mandatory Announcement

Classification: Firmware Hardware Policy/Procedure

Description: 600 Note Paper Tray Extension Update

Hardware: GEN5™ and GEN2U™ Thermal Printers

Territory: All

Interface: N/A

Check Sum: N/A

Firmware Version(s): N/A

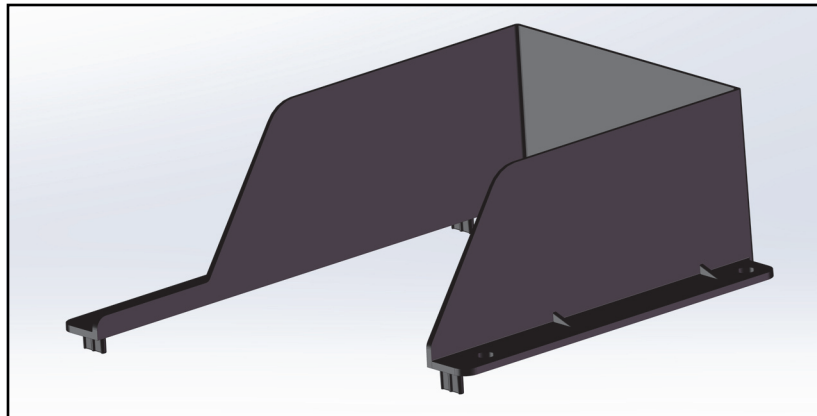
CRC (seed = 0000): N/A

Conditions:

JCM Engineering has released an updated 600 Note Paper Tray Extension (Plastic) for the GEN5 and GEN2U Thermal Printers.

Resolutions:

The updated 600 Note Paper Tray Extension (Plastic) (JCM P/N 370-00478-100) is now available. The updated Paper Tray Extension replaces the 600 Note Paper Tray Extension (Metal) (JCM P/N 32-000224-101).



600 Note Paper Tray Extension (Plastic) (JCM P/N 370-00478-100)

Contact your local JCM Sales Representative for more details.

Note:

This notification reflects current information available at time of publication. This information is subject to change without notice. Please contact your local JCM Sales Representative or JCM Customer Service for additional information.