



Notification No.: 20130513

Version: 1.0

Page: 1 of 2

Release Date: May 13, 2013

Effective Date: May 13, 2013

Notification Status: Advisory Mandatory Announcement

Classification: Firmware Hardware Policy/Procedure

Description: iVIZION Mounting

Hardware: Mounting Screws

Territory: All

Interface: N/A

Check Sum: N/A

Firmware Version(s): N/A

CRC (seed = 0000): N/A

Conditions:

JCM Engineering has received reports of difficulty inserting the iVIZION Validator's Cash Box into the iVIZION Frame on Games retrofitted at Customer locations. On these units, the Cash Box exterior surface was damaged when it was inserted into or removed from the iVIZION Frame.



Figure 1: iVIZION Frame Interior Mounting Screw Locations (Close Up)



Figure 2: iVIZION Cash Box Exterior Surface Damage (Close Up)

Resolution:

An investigation by JCM Engineering identified that mounting screws used to secure the iVIZION Frame to the game platform exceeded product specifications. The longer length of the mounting screws gouged the side of the Cash Box, damaging the exterior surface (Figure 1A and Figure 2).

(continued on reverse)



Notification No.: 20130513

Version: 1.0

Page: 2 of 2

Release Date: May 13, 2013

Effective Date: May 13, 2013

Notification Status: Advisory Mandatory Announcement

Classification: Firmware Hardware Policy/Procedure

Description: iVIZION Mounting

Hardware: Mounting Screws

Territory: All

Interface: N/A

Check Sum: N/A

Firmware Version(s): N/A

CRC (seed = 0000): N/A

Resolution (continued):

To ensure proper mounting of the iVIZION Frame with the game platform, the M4 Screws cannot extend more than 4mm in length beyond the width (thickness) of the mounting bracket where the iVIZION Frame is attached (Figure 3). For example, to mount the iVIZION Frame on a mounting bracket that is 2mm thick, the M4 Screws cannot exceed 6 mm in length when installed. Once the iVIZION Frame has been installed on the game platform (Figure 4), visually inspect the M4 Screws to ensure they do not protrude into the Cash Box area of the iVIZION Frame (Figure 1B).

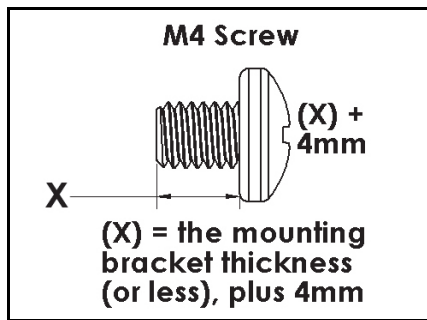


Figure 3: M4 Mounting Screws

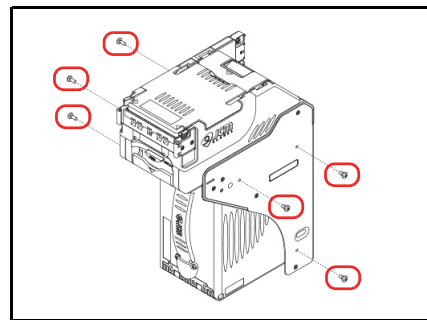


Figure 4: Mounting Screw Locations (6)

Note:

The intent of this announcement is to accurately reflect information available as of this writing. This information is subject to change without notice. Please contact your local JCM Sales Representative or JCM Customer Service at (800) 683-7248 for additional information.