

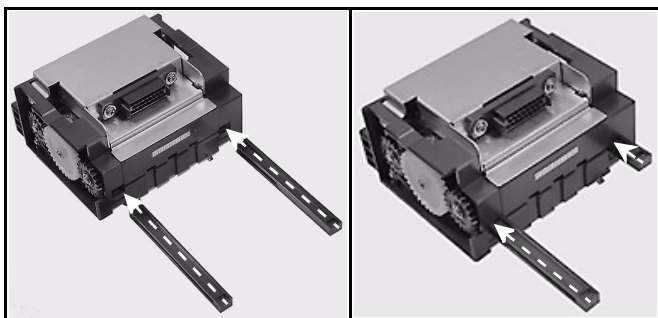


Technical Bulletin 00407

www.jcm-american.com

The JCM web site provides the tools you need, including the software information database with DIP switch information, our photo parts catalog, online ordering form, repair service, and more.

Parts are Parts



- Part No.** 902-002067 67mm
 902-002071 71mm
 902-002077 77mm
 902-002081 81mm
 902-002083 82.5mm

Description: WBA Bill Guides (L/R)

Usage: The WBA validator can accept currency size widths from 66mm to 82mm. This is accomplished by using different bill guide channels that can be inserted and removed from the validator head. The bill guides properly center the currency over the validation sensors. This feature allows the use of one validator in several countries by simply changing the respective bill guides and related currency software.

JCM Latest Software Listing

UNIT	ID	Version*	Check Sums
WBA-10-SS	ID-003	V-3.10-20	4D54
WBA-10-SS	ID-022/023	V-3.10-03	C1BF
WBA-10-SS	ID-024	V-3.04-20	5271
WBA-11-SS	ID-003	V-3.10-20	4D54
WBA-11-SS	ID-022/023	V-3.10-03	C1BF
WBA-11-SS	ID-024	V-3.04-20	5271
WBA-12-SS	ID-003	V-3.09-20i	73F1
WBA-12-SS	ID-0C3	V-3.09-09i	766C
WBA-12-SS	ID-022/023	V-3.10-03i	0093
WBA-12-SS	ID-044C	V-3.10-05i	320E
WBA-12-SS	ID-044	V-3.10-05i	F351
WBA-12-SS	ID-023B	V-3.00-04i	10C5
WBA-12-SS	ID-024	V-3.19-27	C7C2
WBA-13-SS	ID-003	V-3.09-20i	73F1
WBA-13-SS	ID-0C3	V-3.09-09i	766C
WBA-13-SS	ID-022/023	V-3.10-03i	0093
WBA-13-SS	ID-044C	V-3.10-05i	320E
WBA-13-SS	ID-044	V-3.10-05i	F351
WBA-13-SS	ID-023B	V-3.00-04i	10C5
WBA-13-SS	ID-024	V-3.19-27	C7C2
DBV-200-B0/B1	ID-022/023	V-2.40-04-03	49E5
DBV-200-A2/A3	ID-004/BAR	V-2.40-05	FFA3
DBV-200-A2/A3	ID-044P/045P	V-2.40-05	FCBE
DBV-200-A2/A3	ID-011/015	V-2.40-09	CA98
DBV-200-A2/A3	ID-044/045W	V-2.40-04	C1E7
DBV-200-A2/A3	ID-044WP/045WP	V-2.40-05	428B
DBV-200-B4/B5	ID-024	V-2.40-09	7733
DBV-200-B4/B5	ID-003	V-2.40-02	C62B

* an "i" suffix indicates Intelligent Cash Box option.

NOTE: The list of JCM bill validator software provided herein notifies customers of the latest versions developed. However, the listing does not identify versions approved by gaming jurisdictional authorities for actual use. Customers should consult JCM's Customer Service/Parts Sales departments concerning approved versions for jurisdictions of intended use.

Save Time and Labor with JCM's Intelligent Cash Box System

The ICB. (Intelligent Cash Box) system is a unique cash box/cash flow management system that allows the operator to track a cash box and its contents through the entire cash flow process. The ICB system eliminates the need for dedicating cash boxes to specific machines, or putting barcode identification on the cash boxes. The cash boxes are tracked electronically eliminating most variance issues.





FREE REGIONAL TRAINING

Give your techs the tools they need to keep your customers happy and your equipment running at peak efficiency. Call for further information.

Aug.	Shreveport, Louisiana
Aug.	Wendover, Nevada
Aug.	Ashville, N. Carolina
Sept.	New York, New York
Sept.	Billings, Montana

Customer Notification/Tech Tips:

Please see CN # 20040630

\$250 Minimum Parts Order Policy

At JCM, we are always looking for ways to serve you better. For the past year, we have been developing strategic relationships with distributors across North America to make parts more readily accessible to you, and we are pleased to say our distribution partners are AG&E, Happ Controls, Hi-Tech Gaming, Mountain Gaming, and Reel Games.

Effective August 1, 2004 all parts orders totaling less than \$250 will need to be routed through one of these distributors, and you should contact them directly. Orders totaling more than \$250 can be processed through our distribution partners or JCM. This policy applies to parts only, and does not apply to service, software or individual orders.

For your convenience, contact phone numbers for our distribution partners are listed below:

- AG&E (United States) (702) 798-5752
- Happ Controls (United States) (847) 593-6130
- Hi-Tech Gaming (Canada) (905) 672-2339
- Mountain Gaming (Colorado) (303) 394-2001
- Reel Games (Florida/Caribbean) (954) 563-8253

Thank you for your continuing business. If you have any questions regarding this new policy, please call: 702-651-0000.

JCM is a registered trademark of JCM American Corporation. All other product names mentioned herein may be registered trademarks or trademarks of their respective companies. Furthermore, TM and ® are not mentioned in each case in this publication.

JCM American Corporation
 925 Pilot Road
 Las Vegas, Nevada 89119
 Telephone: (702) 651-0000
 Toll Free: (800) 683-7248
 FAX: (702) 651-0003

